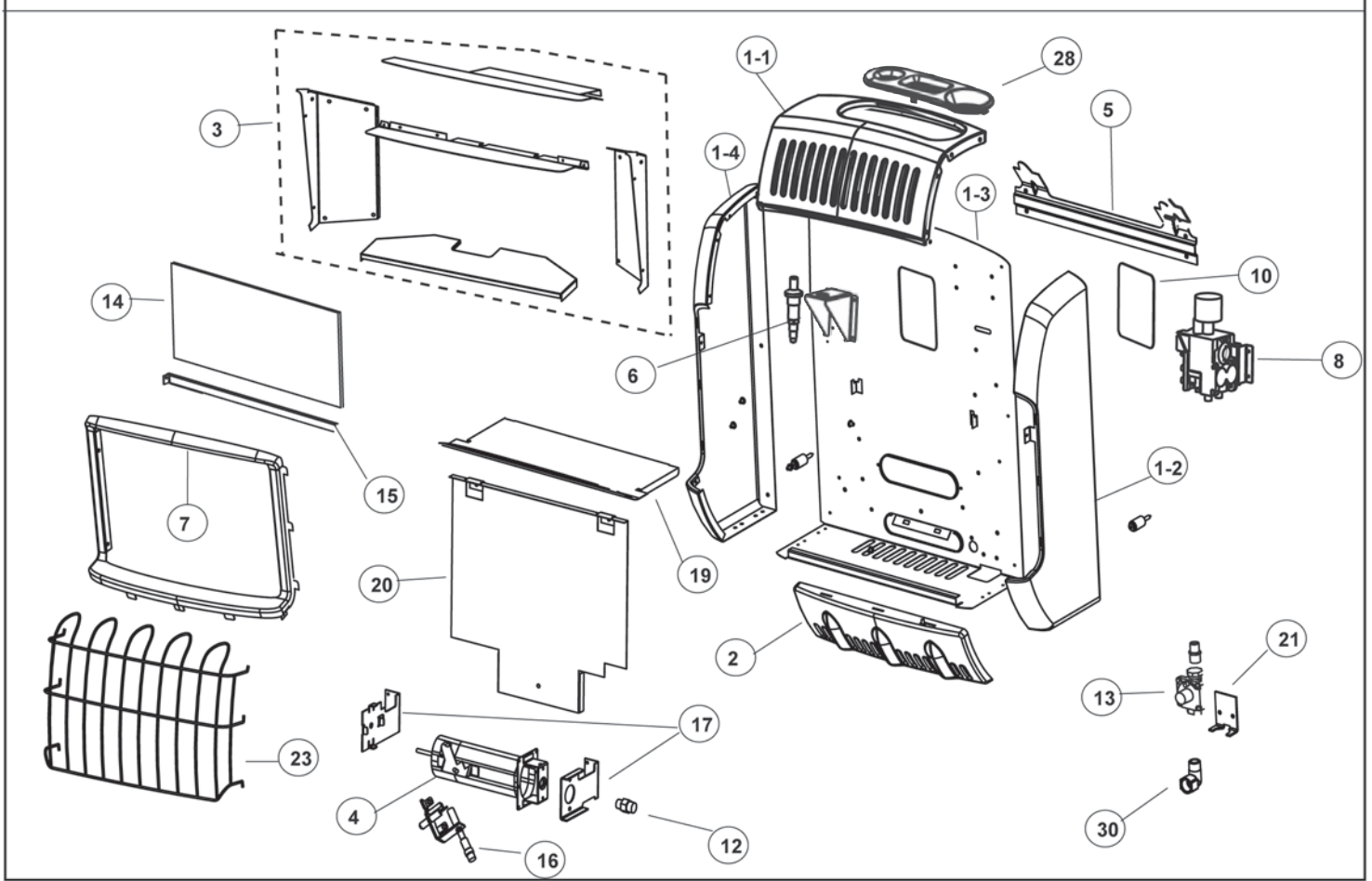


UNVENTED LP-GAS FIRED HEATER • Model MHVFB110LPT



[www.tesstools.net](http://www.tesstools.net)

# UNVENTED LP-GAS FIRED BUDDY WALL-MOUNT HEATER

www.tesstools.net

ITEM	PART NO. MHVFB10LP	DESCRIPTION	QTY.
1	70300	Cabinet assembly	1
1-1	70833	Cabinet Top Panel	1
1-2	70592	Cabinet Right Panel	1
1-3	70593	Cabinet back Panel	1
1-4	70591	Cabinet Left Panel	1
2	70594	Lower Front panel assembly	1
3	70312	Reflector Assembly	1
4	70319	Burner Assembly	1
5	70320	Wall Mounting Bracket	1
6	70834	VPiezo Igniter	1
7	70322	Bezel – Reflector Front	1
8	70828	Thermostat Valve Assembly	1
10	70325	Back Plate	1
12	70845	Orifice BF	1
13	70327	Pressure Regulator	1
14	70370	Steel Panel	1
15	70327	Steel Panel Mounting Bracket	2
16	70366	Thermocouple	1
17	70826	Burner Mounting Bracket BF	1
19	70396	Heat Shield – Top	1
20	70331	Heat Shield – Back	1
21	70663	Regulator Mounting Bracket	1
23	70898	Wire Guard VF 10K	1
28	70664	Control/Igniter Cover	1
30	70597	3/8" FPT X 3/8" MPT Street Elbow	1
*	70589	1/4" SAE Flare x 3/8" MPT	1
*	21590	Hose	1
*	26255	Gas Regulator	1
*	70597	3/8" FPT X 3/8" MPT Street Elbow	1
*	70587	1/4" FPT X 3/8" MPT Reducer Bushing	1
*	70588	Operator's Manual	1
*	70586	Rating Label	1
*	70354	ODS Gas Tube Assembly	1
*	70355	Regulator to Thermostat Valve tube Ass'y	1
*	70342	* Hardware kit	1
*	70348	* CSA label	1
*	70349	* Gas Instruction decal	1
*	70350	* Inside warning label	1
* Item Not Shown			

800 397 7553

